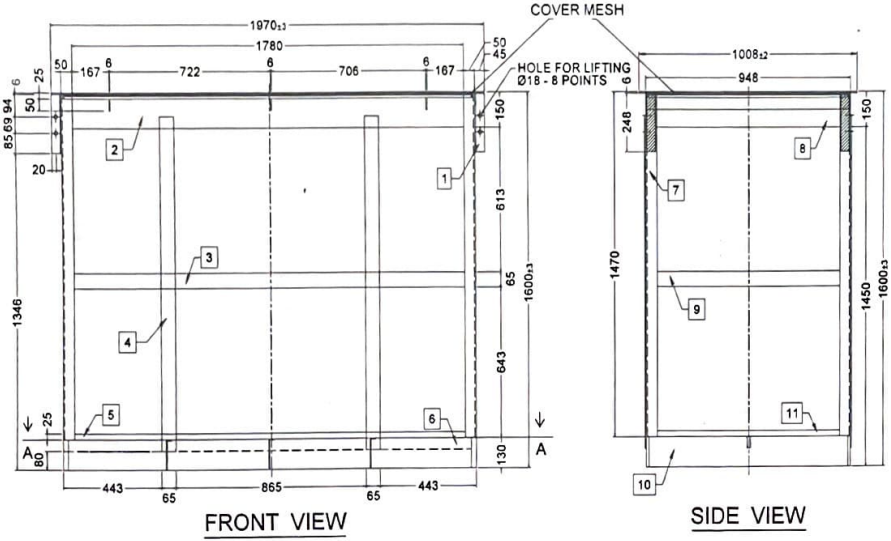


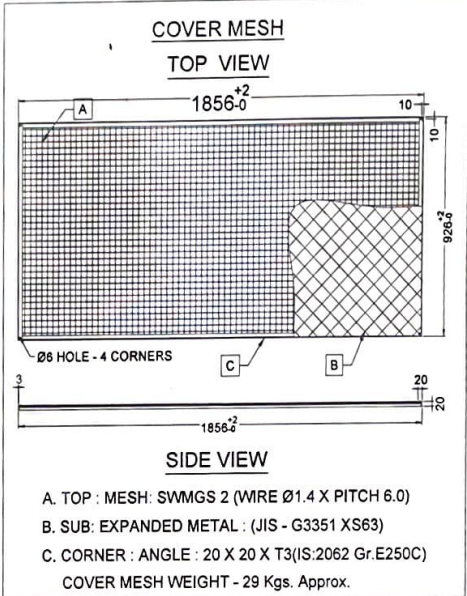
1-985-1-1-130-675-120-01

COPYRIGHT AND CONFIDENTIAL
 THE INFORMATION ON THIS DOCUMENT IS THE PROPERTY OF BHARAT HEAVY ELECTRICALS LTD. IT MUST NOT BE USED DIRECTLY OR INDIRECTLY IN ANY WAY DETRIMENTAL TO THE INTEREST OF THE COMPANY.
 REF. DRG. No.
 SIGN. & DATE
 INVENTORY No.



FRONT VIEW

SIDE VIEW



COVER MESH

TOP VIEW

SIDE VIEW

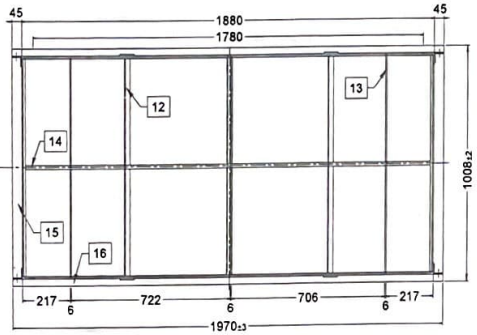
- A. TOP : MESH : SWMGS 2 (MRE Ø1.4 X PITCH 6.0)
 - B. SUB: EXPANDED METAL : (JIS - G3351 XS63)
 - C. CORNER : ANGLE : 20 X 20 X T3 (IS:2062 Gr.E250C)
- COVER MESH WEIGHT - 29 Kgs. Approx.

COVER MESH / MODEL DESIGN CONDITION	
SIZE	W1856 X D926 X H20
MATERIALS	Angle 20 x20x3
QUANTITY	1 EA / MODULE

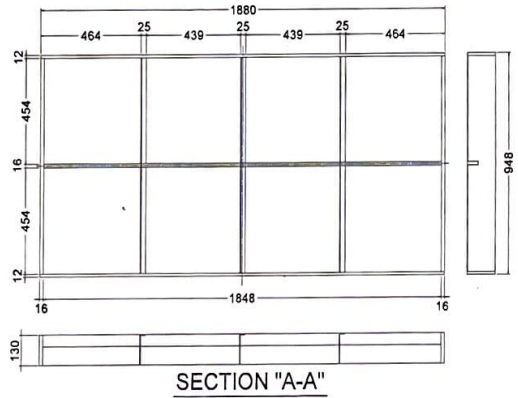
BILL OF MATERIAL / CATALYST CAGE			
NO.	DESCRIPTION	DIMENSION	QTY.
1	Angle 45x45x6	248	4
2	Plate - T6	1780 x 150	2
3	Plate - T6	1780 x 65	2
4	Plate - T6	1420 x 65	4
5	Plate - T6	1780 x 25	2
6	Plate - T12	1880 x 130	2
7	Angle 50x50x6	1470	4
8	Plate - T6	848 x 150	2
9	Plate - T6	848 x 65	2
10	Plate - T16	924 x 130	2
11	Plate - T6	848 x 25	2
12	Angle - 130x25x4	924	3
13	Plate - T6	936 x 50	3
14	Plate - T16	1848 x 50	1
15	Plate - T6	1008 x 45	2
16	Plate - T6	1880 x 30	2

MATERIAL SPECIFICATION AS PER IS:2062 Gr.E250C
 CATALYST CAGE WEIGHT - 225 Kgs. Approx.

NO. OF PLATES INSIDE THE INNER BOX = 58
 NO. OF INNER BOX INSIDE THE CAGE = 16
 INNER BOX DIMENSIONS = 464X464XH675



TOP VIEW



SECTION "A-A"

CONTROLLED COPY

PROJECT TITLE :
MAHAGENCO BHUSAWAL 1X660MW

CLIENT :
MAHAGENCO

CONSULTANT:

BHARAT HEAVY ELECTRICALS LIMITED.
 SOLAR BUSINESS DIVISION, BANGALORE

TITLE:	CATALYST CAGE	No. OF SHEETS	03
		SHEET No.	01
		REV	

BHEL DRG. No. **1 - 985 - 1 - 130 - 675 - 120** **01**

REV.	DATE	ALTERED	CHECKED	APPROVED	SIGN	REV.	DATE	ALTERED	CHECKED	APPROVED	R.K	P.M	A.K	NAME	DATE
01	07.07.2022														

SL NO 01. Angle 244x45x45x6 changed to 248x45x45x6 and put two holes.

DRAWN	R.K	30.03.2022
CHECKED	P.M	30.03.2022
APPROVED	A.K	30.03.2022

DISTRIBUTION OF PRINTS

DEPT.	CODE
SCR - SBD	1800



1-985-1-130-675-120-01
090 090

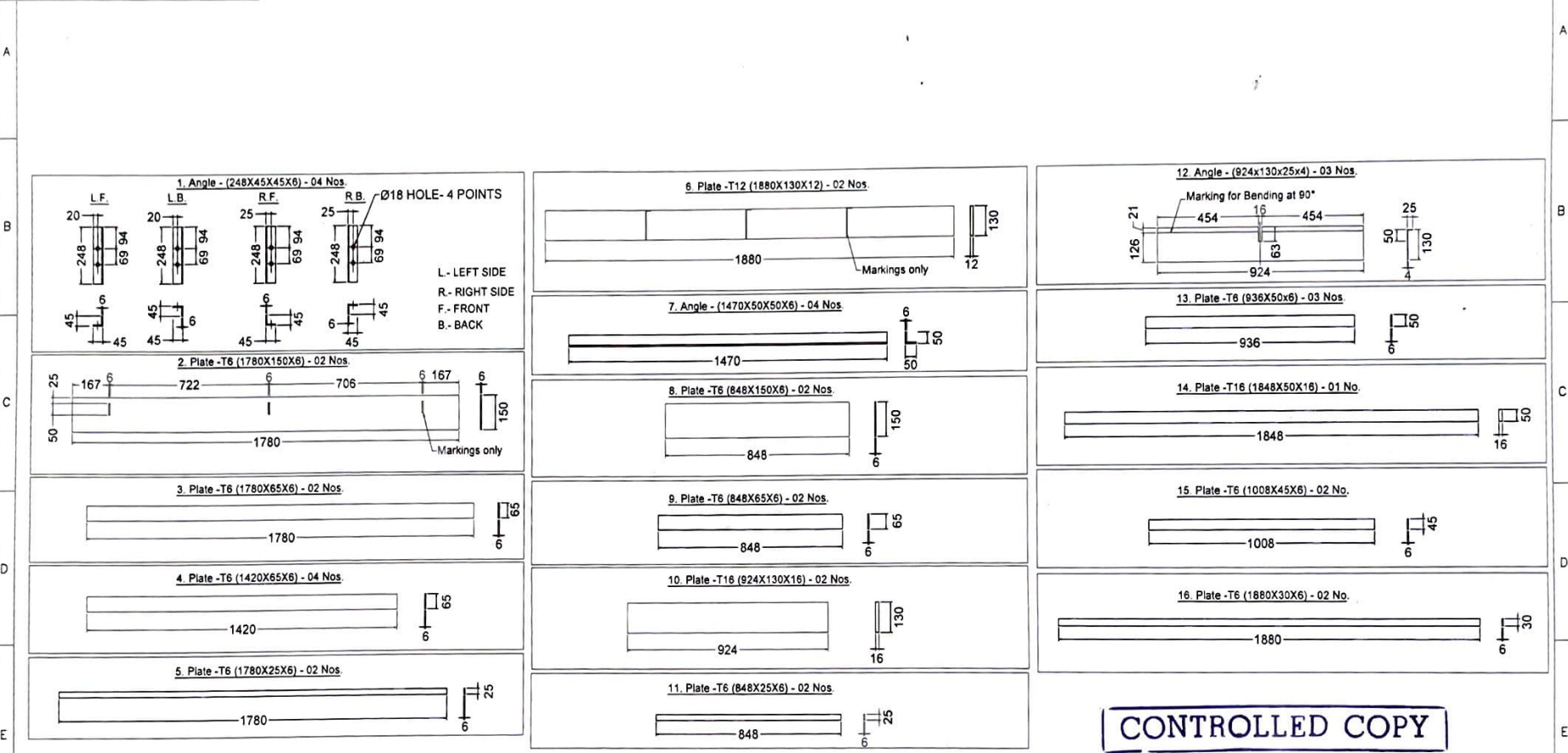
COPYRIGHT AND CONFIDENTIAL

THE INFORMATION ON THIS DOCUMENT IS THE PROPERTY OF BHARAT HEAVY ELECTRICALS LTD. IT MUST NOT BE USED DIRECTLY OR INDIRECTLY IN ANY WAY DETRIMENTAL TO THE INTEREST OF THE COMPANY.

REF.-DRG. No.

SIGN & DATE

INVENTORY No.



CONTROLLED COPY

PROJECT TITLE : MAHAGENCO BHUSAWAL 1X660MW

CLIENT : MAHAGENCO

CONSULTANT:

BHARAT HEAVY ELECTRICALS LIMITED.
SOLAR BUSINESS DIVISION, BANGALORE

TITLE: CATALYST CAGE - BOM
No. OF SHEETS: 03
SHEET No.: 02
REV:

BHEL DRG. No. 1-985-1-130-675-120 01

REV.	DATE	ALTERED	CHECKED	APPROVED	SIGN	REV.	DATE	ALTERED	CHECKED	APPROVED	R.K	P.M	A.K	NAME	DATE
01	07.07.2022				<i>[Signature]</i>									R.K	30.03.2022
					<i>[Signature]</i>									P.M	30.03.2022
					<i>[Signature]</i>									A.K	30.03.2022
SL NO 01. Angle 244x45x45x6 changed to 248x45x45x6 and put two holes.															
DRAWN R.K 30.03.2022															
CHECKED P.M 30.03.2022															
APPROVED A.K 30.03.2022															
DISTRIBUTION OF PRINTS															
DEPT. CODE															



COPYRIGHT AND CONFIDENTIAL
THE INFORMATION ON THIS DOCUMENT IS THE PROPERTY OF BHARAT HEAVY ELECTRICALS LTD. IT MUST NOT BE USED DIRECTLY OR INDIRECTLY IN ANY WAY DETRIMENTAL TO THE INTEREST OF THE COMPANY.

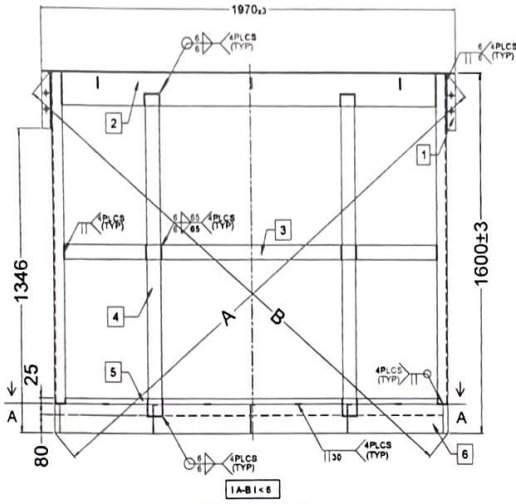
REF. DRG. No.

SIGN. & DATE

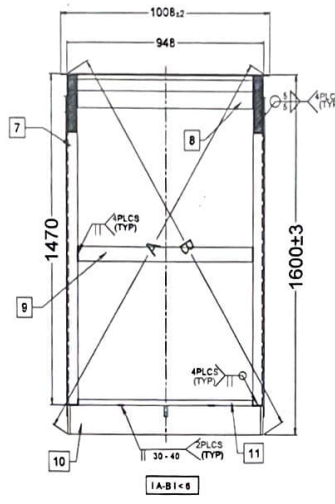
INVENTORY No.

10 01 - 985 - 1 - 130 - 675 - 120 - 01

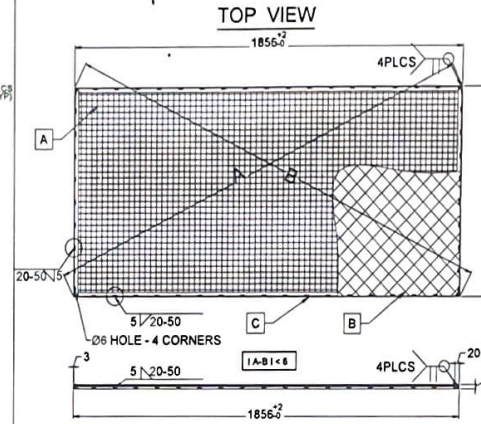
FRONT VIEW



SIDE VIEW



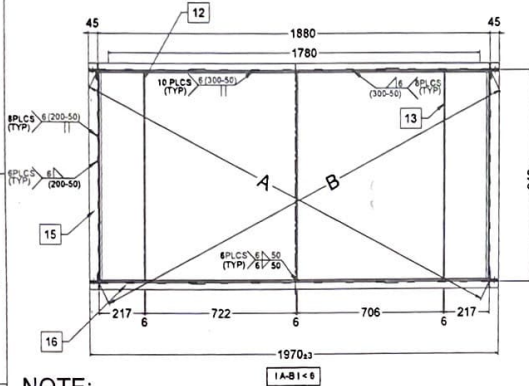
COVER MESH TOP VIEW



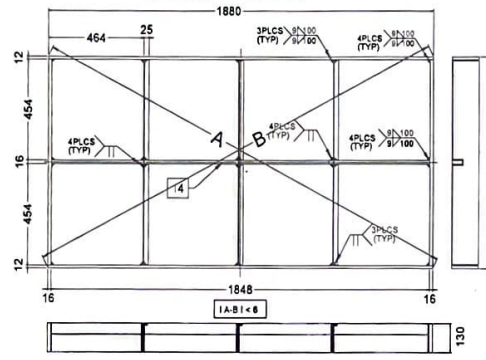
SIDE VIEW

- A. TOP : MESH: SWMGS 2 (WIRE Ø1.4 X PITCH 6.0)
 - B. SUB: EXPANDED METAL : (JIS - G3351 XS63)
 - C. CORNER : ANGLE : 20 X 20 X T3 (IS:2062 Gr E250C)
- COVER MESH WEIGHT - 29 Kgs. Approx.

TOP VIEW



SECTION "A-A"



	FULL WELD AROUND
	FILLET WELD ONE SIDE
	FILLET WELD DOUBLE SIDE
	SQUARE GROOVE WELD
PLCS	PLACES

COVER MESH / MODEL DESIGN CONDITION	
SIZE	W11856 X D926 X H20
MATERIALS	Angle 20 x20x3
QUANTITY	1 EA / MODULE

BILL OF MATERIAL / CATALYST CAGE			
NO.	DESCRIPTION	DIMENSION	QTY.
1	Angle 45x45x6	248	4
2	Plate - T6	1780 x 150	2
3	Plate -T6	1780 x 65	2
4	Plate -T6	1420 x 65	4
5	Plate -T6	1780 x 25	2
6	Plate -T12	1880 x 130	2
7	Angle 50x50x6	1470	4
8	Plate -T6	848 x 150	2
9	Plate -T6	848 x 65	2
10	Plate -T16	924 x 130	2
11	Plate -T6	848 x 25	2
12	Angle - 130x25x4	924	3
13	Plate -T6	936 x 50	3
14	Plate -T16	1848 x 50	1
15	Plate -T6	1008 x 45	2
16	Plate -T6	1880 x 30	2

CONTROLLED COPY

NOTE:

- FRONT VIEW and SIDE VIEW welding has to be done only out side, side ways and under of the plates and angles. Welding projections would not come inside where the small boxes Placing area.
- In TOP VIEW Welding has to be done only below of the plates and angles, Where small boxes are sitting area

PROJECT TITLE : **MAHAGENCO BHUSAWAL 1X660MW**

CLIENT : **MAHAGENCO**

CONSULTANT:

BHARAT HEAVY ELECTRICALS LIMITED.
SOLAR BUSINESS DIVISION, BANGALORE

TITLE: **CATALYST CAGE - WELDING DRAWING**

No. OF SHEETS	03
SHEET No.	03
REV	

BHEL DRG. No. **1-985-1-130-675-120** 01

REV.	DATE	ALTERED	CHECKED	APPROVED	SIGN	REV.	DATE	ALTERED	CHECKED	APPROVED	R.K	P.M	A.K	SIGN
	01						07 07 2022							

SL NO 01. Angle 244x45x45x6 changed to 248x45x45x6 and put two holes.

NAME	DATE
DRAWN R.K	30.03.2022
CHECKED P.M	30.03.2022
APPROVED A.K	30.03.2022



DISTRIBUTION OF PRINTS		DEPT.	CODE
		SCR - SBD	1800

